


ABR Series - Balance Reader



TECHNICAL SPECIFICATIONS

Version 1.2 09-2004

ABR Series – Balance Reader

1.0 Introduction



**Tailor-made for
our customers!**

ACS supplies a wide range of balance reader (value checkers) to suit various applications. Our experienced engineers produce software and hardware in-house and can deliver in a short lead-time. These portable devices can be configured for use in different applications such as simple balance checking, currency conversion, viewing transaction records, and identity verification, campus environment (class attendance, Library record, etc.), and more. Our balance readers can also be easily customized to satisfy customer requirement (type of cards to be read, functions of the reader, color, casing, etc.)

ABR balance reader can be used for checking the balance on your electronic purse card (e.g. Visa Cash, Mondex, Gemplus cash card, prepaid payphone card (Eurochip 4436), and ePark card. You can also view the latest transactions on your card and use it to show the user information such as name and contact number.

2.0 OEM/ODM

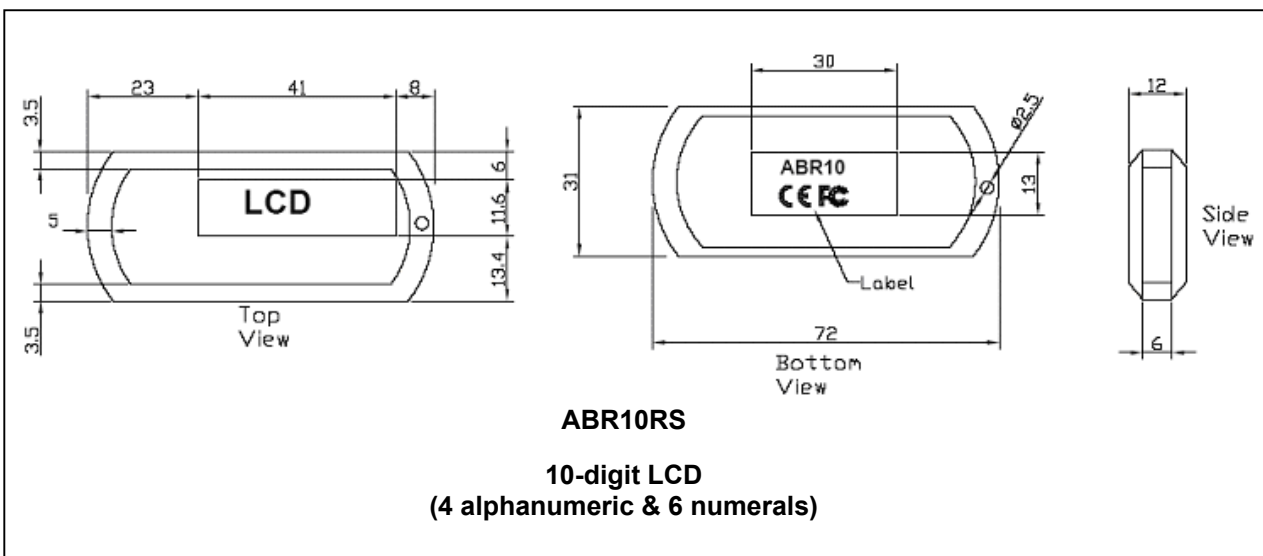
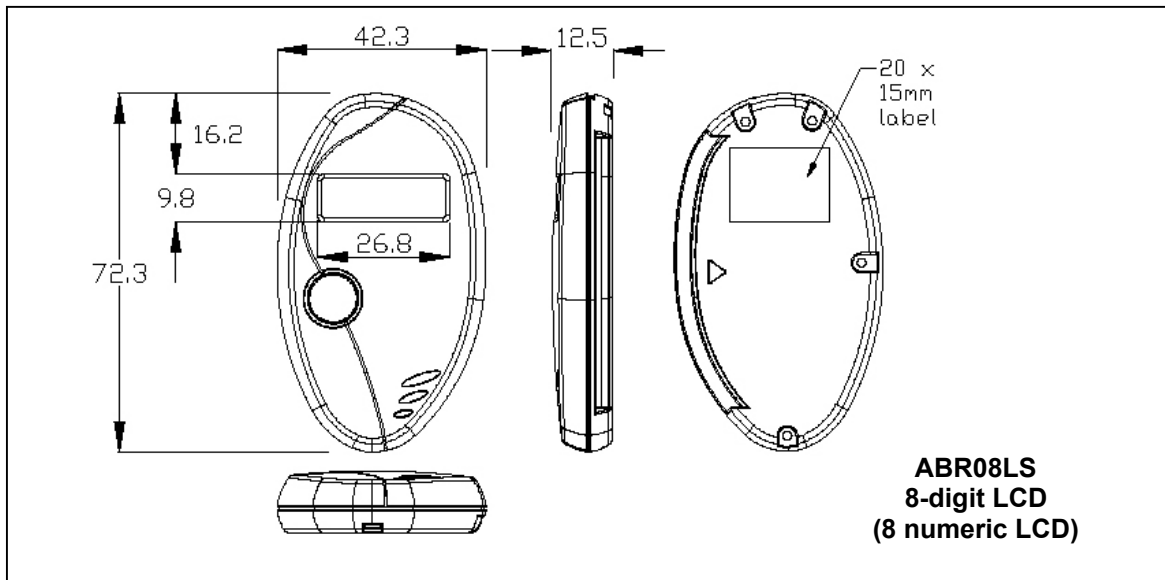
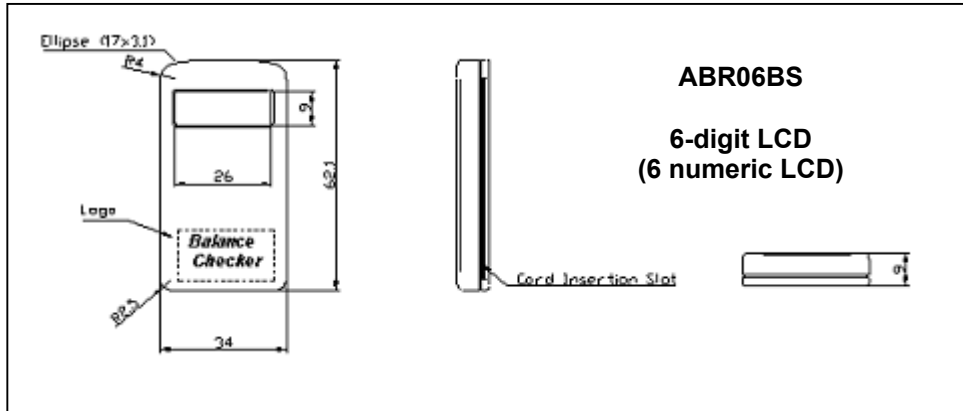
You may need your own brand printed on the balance reader for promotion purposes. OEM & ODM enquiries are most welcomed. You can choose your own color and print, even your own design. We can also make other adaptations according to your requirements.

These handy-sized balance reader can encourage the use of e-purses by consumers. The users can easily check the status of his/her e-purse to verify their expenditures and their balances. This means that the e-purse as a new method of payment can be used with confidence.

3.0 Features

- View your electronic purse card balance
- Pocket readers for everyday use
- Competitive price
- State-of-the-art design casing
- Long lasting battery
- Replaceable battery
- Optional button and LED,
- Optional function to record and display previous transactions
- The information is automatically displayed after the card is inserted
- Support memory and/or MCU cards as required by customers

4.0 Technical Specifications



Power supply

Power supply 2 pieces of 3V lithium connected in series, Replaceable
 Supply current 5mA (without smart card)

LCD display

ABR06BS 6-digit display (numeric)
 ABR08LS 8-digit display (numeric)
 ABR10RS 10-digit display (4 alphanumeric & 6 numeric)

Smart Card Interface

Card detection Card detection by card contact
 CLK frequency 1.05 MHz
 Card connector sliding contacts (8 contacts)
 Card insertion cycles min. 100,000

Case

Dimensions (ABR06BS) 62 mm x 34 mm x 9 mm
 Dimensions (ABR08LS) 72.3 mm x 42.3 mm x 12.5 mm
 Dimensions (ABR10RS) 72 mm x 31 mm x 12 mm
 Weight 15g, 20g, 20g
 Color (ABR06BS/ABR10RS) Transparent blue
 Color (ABR08LS) Silver

Operating Conditions

Temperature 0 - 50° C
 Humidity 40% - 80%

Standard/Certifications

ABR06BS - CE, FCC
 ABR10RS - CE, FCC

Customization

Logo printing
 Number of display digits
 Alpha-numeric display
 Casing design
 Types of Cards supported

